



# Car Turntable Catalogue



Arrowtech Engineering (H.K.) Co., Ltd.

# Our Company

Our company is committed to providing high-quality, technologically advanced, and cost-effective products to our customers.



# Our History

Our company has been designing and manufacturing car turntables since 2006.



# Product Usage

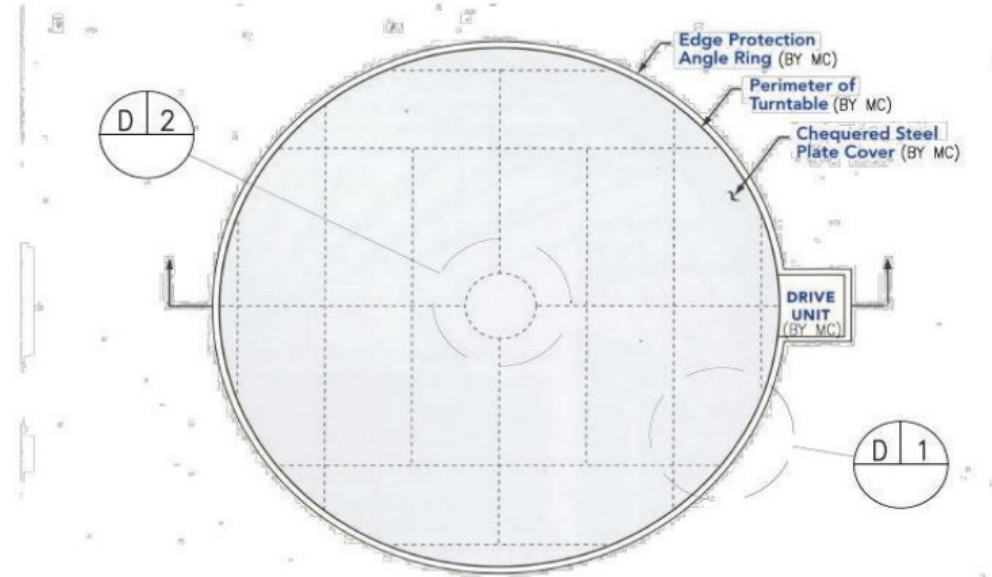
- Driveways
- Car parks
- Underground garages
- Exhibition stands
- Car showrooms
- Photographic studios





- **Advanced technology**
- **High quality**
- **Outstanding economic value**

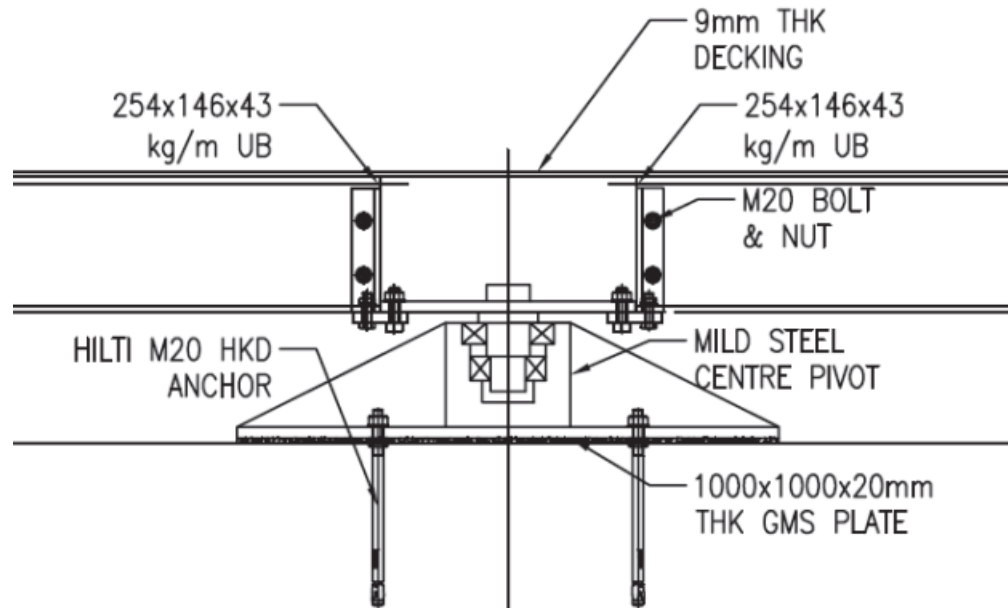
# Our Product



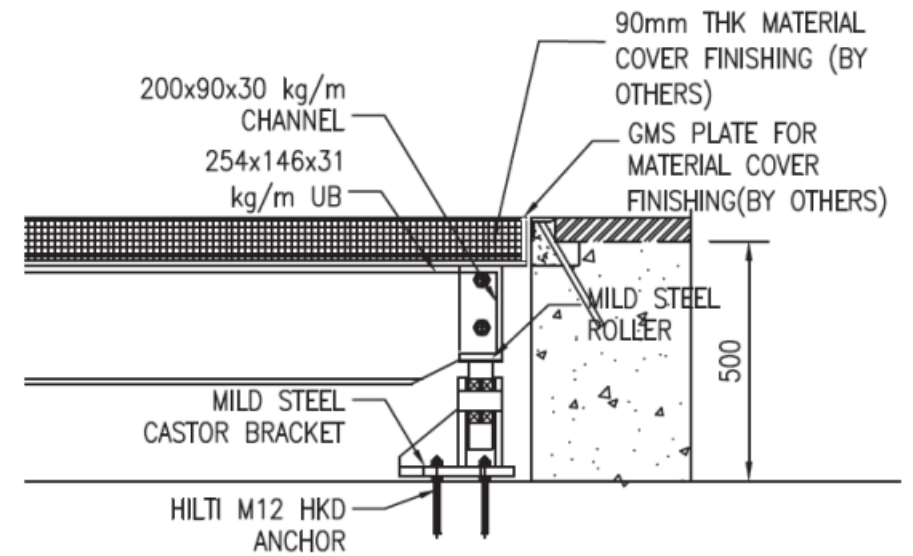
**PLAN OF TURNTABLE**

Types of Vehicle	Typical Gross Vehicle Weight (GVW) Fully Laden	Typical Platform Diameter
Private Car/Van	1.5 tonne to 3.5 tonne	4 m to 6 m
Goods Vehicle	5.5 tonne to 30 tonne	5 m to 9 m
Refuse Collection Vehicle	10 tonne to 24 tonne	5 m to 8 m
Coach	10 tonne to 24 tonne	7 m to 9 m

# Detail 1

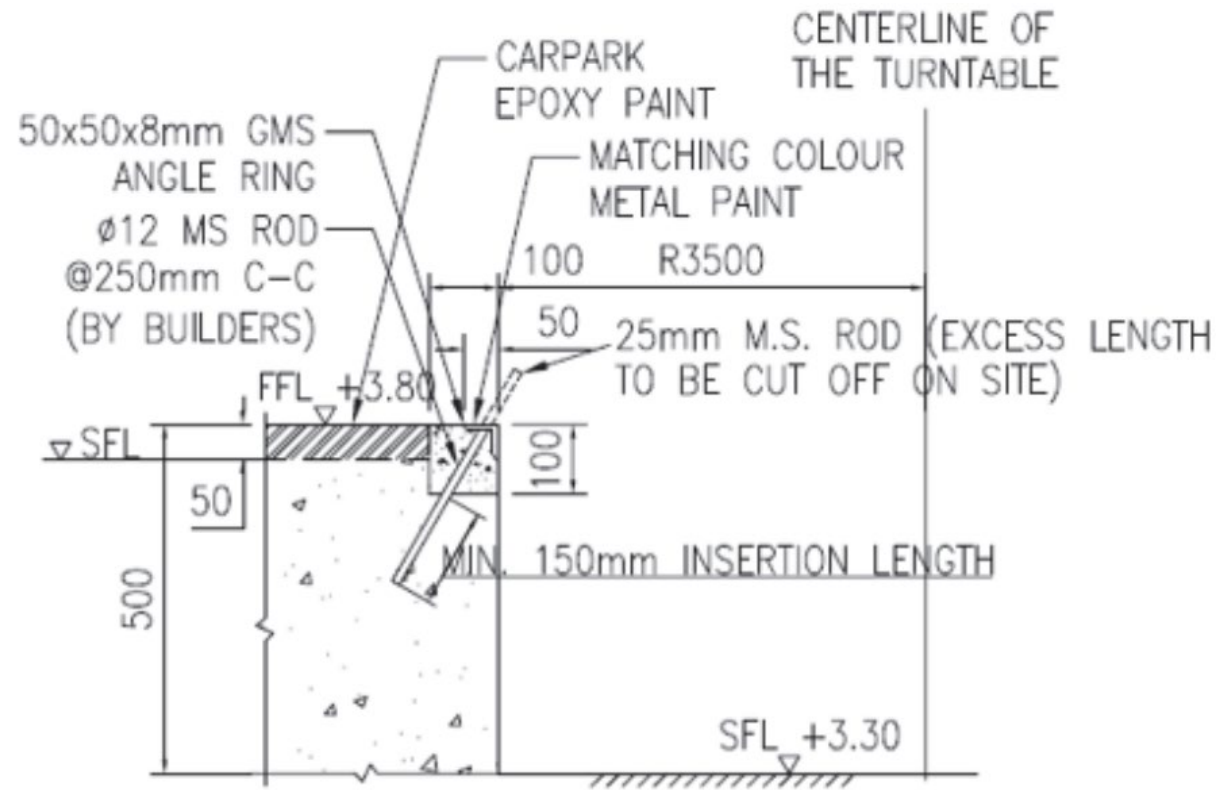


# Detail 2



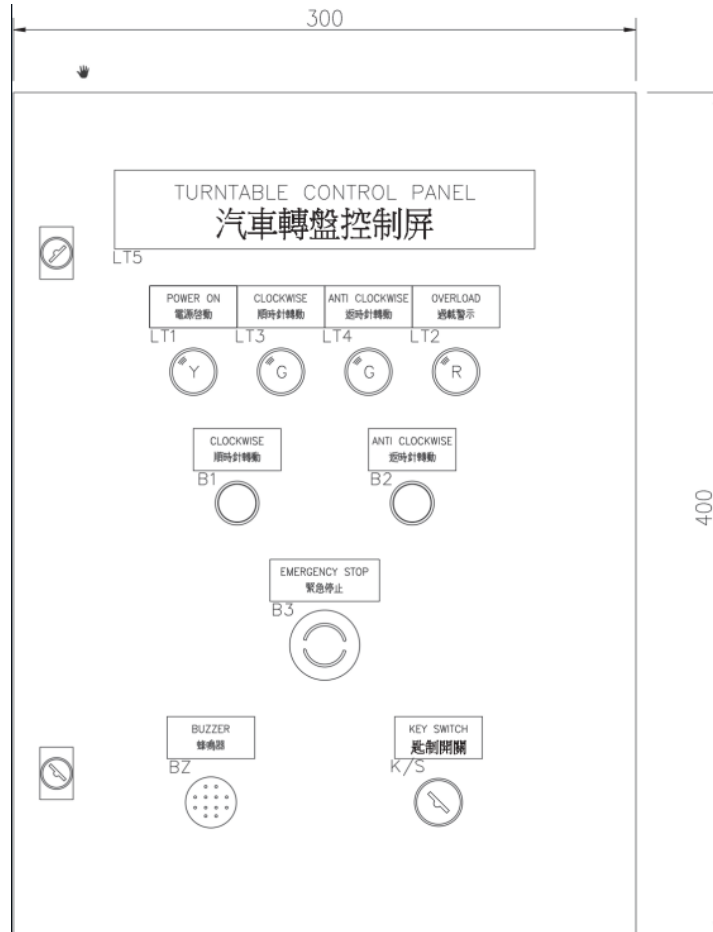
DETAIL OF ROLLER CASTOR

# Detail 3

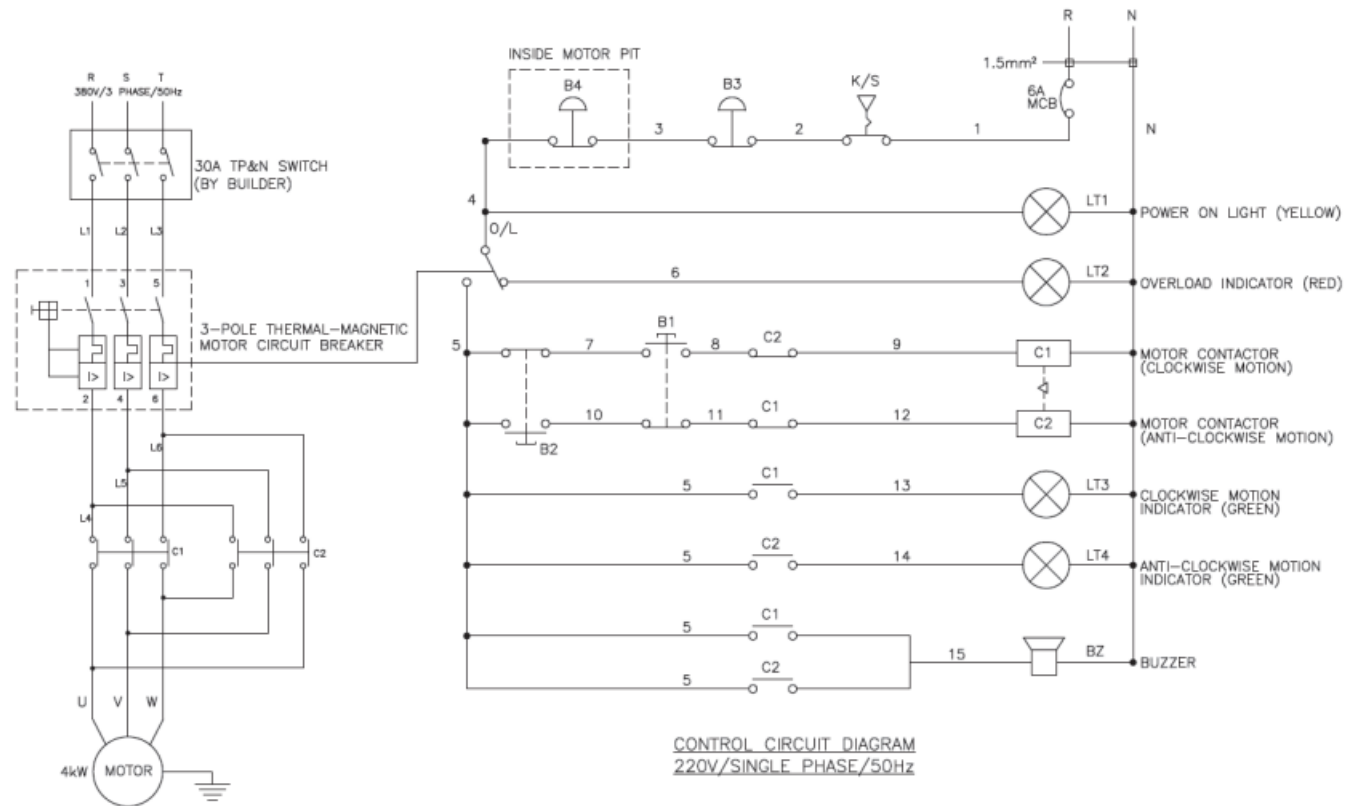


DETAIL OF ANGLE RING

# Control Panel



# Control Circuit Diagram





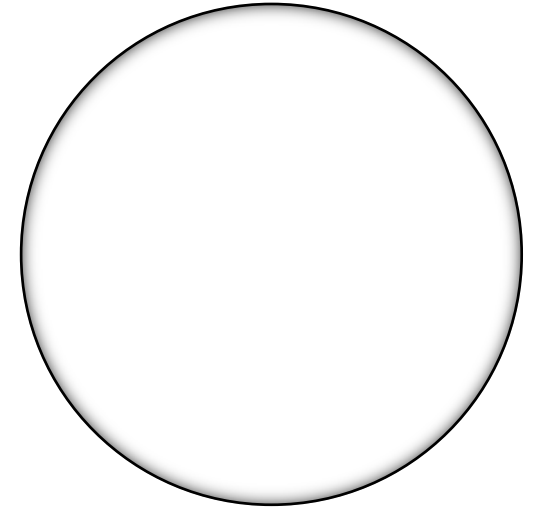
**Galvanised  
Checker Plate**



**Aluminium  
Checker Plate**



**Tile  
Finish**



**Other  
Finishing**

**Surface finishing designed to meet customers' needs**

# **CONTACT US**

**ARROWTECH ENGINEERING (H.K.) CO., LTD.**



**Address: 7/F., United Daily News Centre,  
No.21 Yuk Yat Street, To Kwa Wan, KLN.**

**TEL. :(852) 2364 0727**

**FAX :(852) 3007 8656**